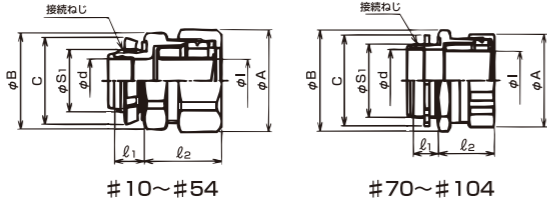


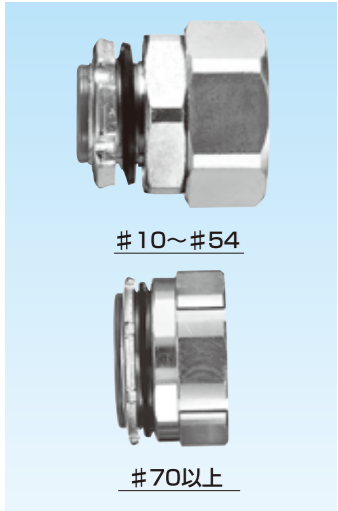
コネクタ ノックアウト接続用

Material and environmental specifications table for KM connectors.

ケーブルクセス+制御盤



- List of features and specifications for the cable connector series.



【管用平行おねじ付き】

Main table for parallel nut connectors with pipe thread, listing part numbers, dimensions, and weights.

注1, 2. Dimensions and part number details for the parallel nut connectors.



【メートルおねじ付き】

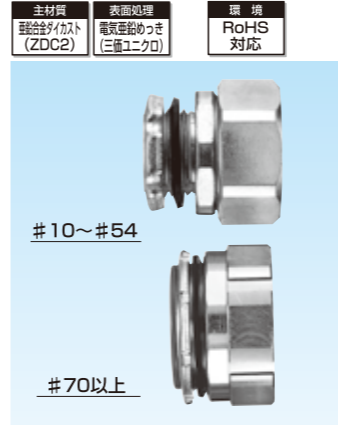
Main table for metric nut connectors, listing part numbers, dimensions, and weights.

注. Part number details for the metric nut connectors.

コネクタ ノックアウト接続用

Material and environmental specifications table for KM connectors.

ケーブルクセス+制御盤



【NPTおねじ付き】

Table for NPT thread nut connectors, listing part numbers, dimensions, and weights.

【薄鋼電線管おねじ付き】

Table for thin steel wire tube nut connectors, listing part numbers, dimensions, and weights.

樹脂製/黒色品

Material and environmental specifications for resin/black products.



真鍮製

Material specifications for brass products.



【管用平行おねじ付き】

Table for parallel nut connectors with pipe thread (brass).

【薄鋼電線管おねじ付き】

Table for thin steel wire tube nut connectors (brass).

【管用平行おねじ付き】

Table for parallel nut connectors with pipe thread (stainless steel).

ステンレス製

●ステンレス製コネクタは、商品分類名「サンパイプ」の頁をご参照下さい。